

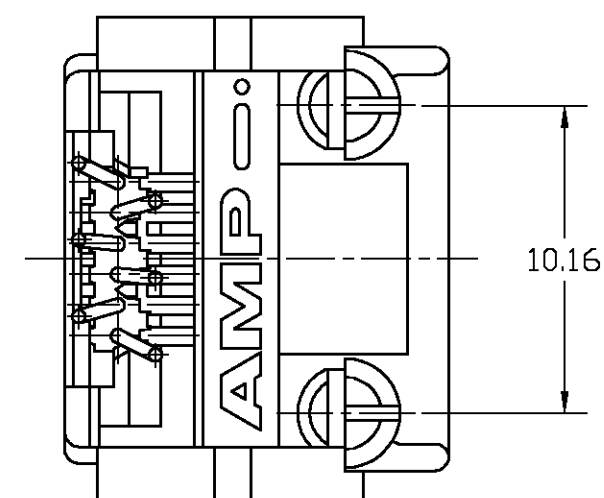
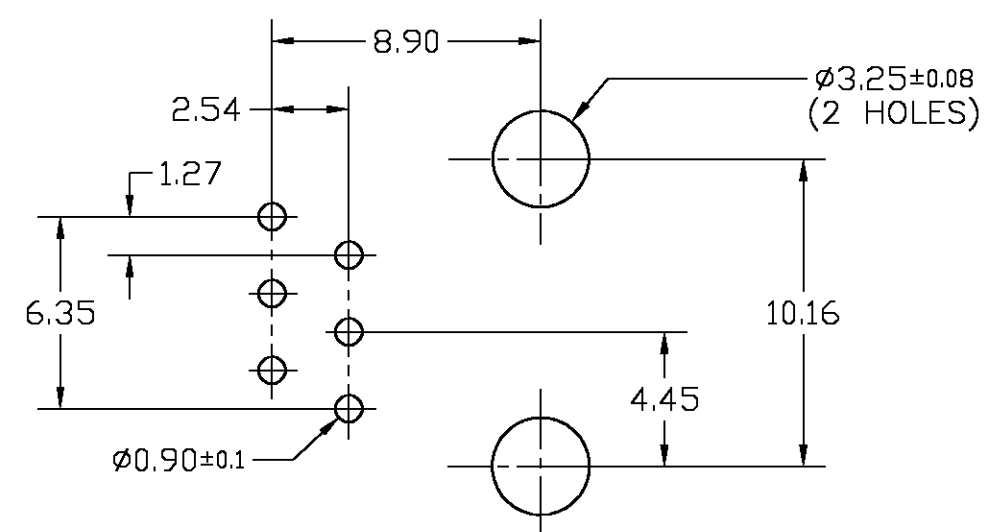
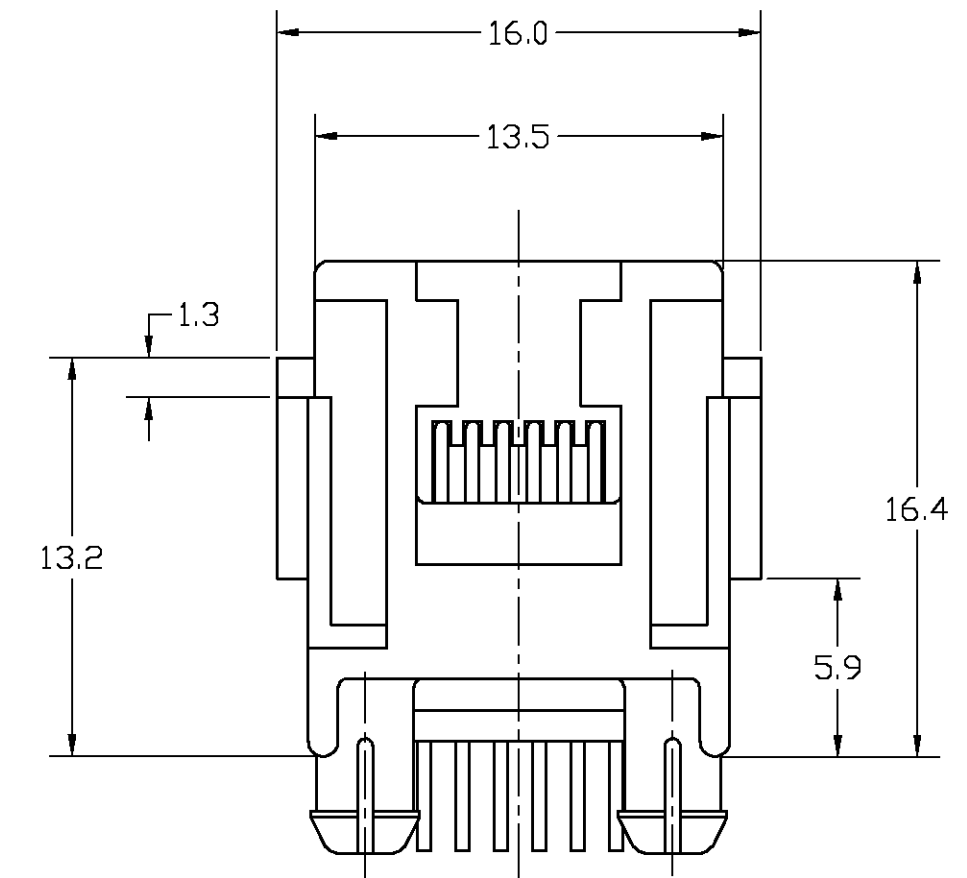
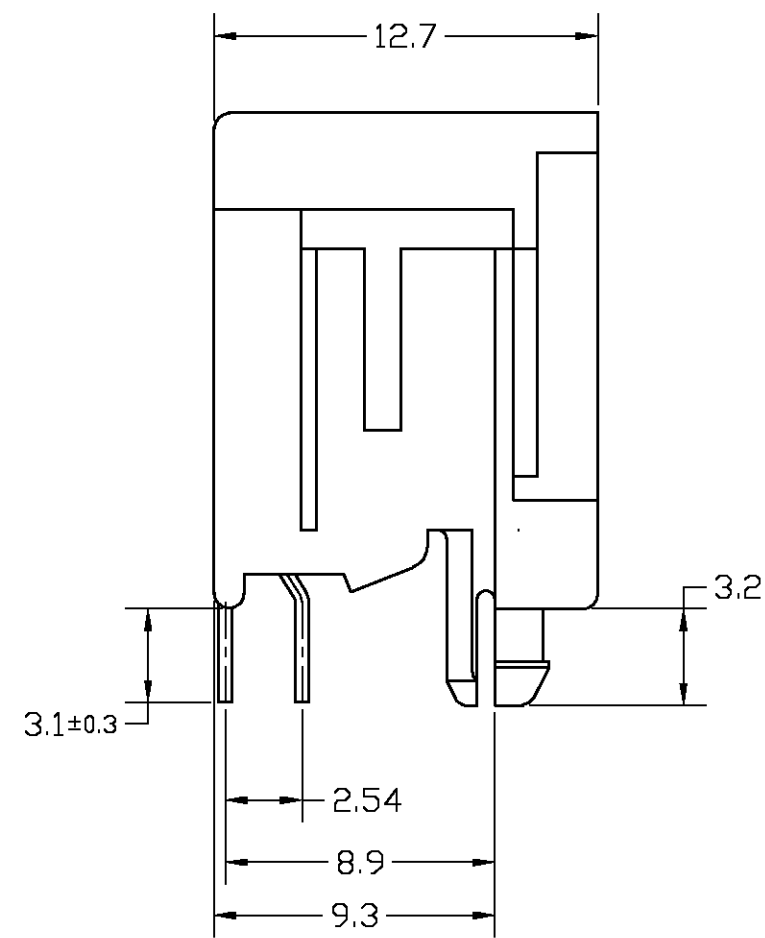
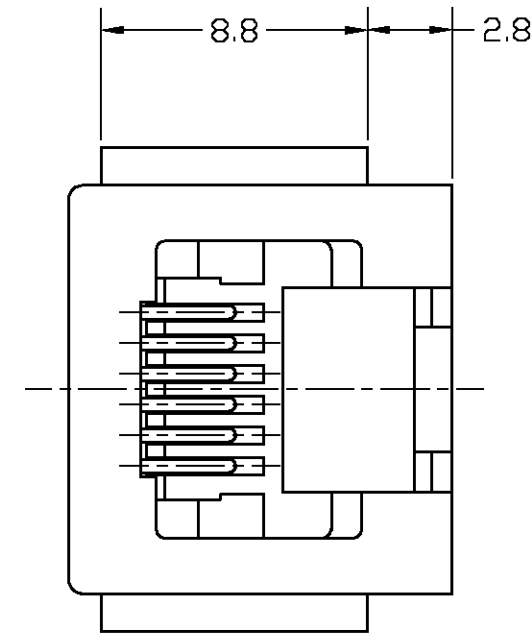
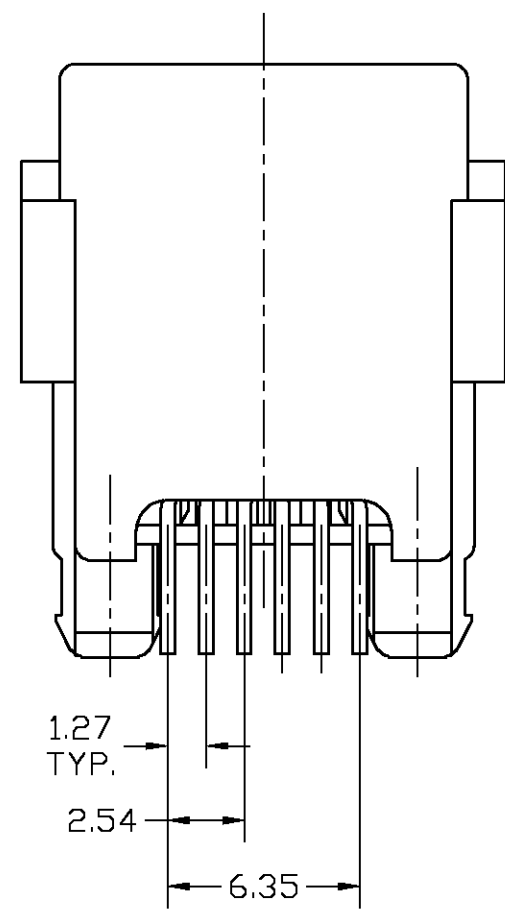
DO NOT SCALE
DIMENSIONS IN mm

METRIC

THIRD ANGLE
PROJECTION

NOTES:

- 1 SEE SHEET 2 FOR 6 POS./4 CONTACTS
- 2 TOLERANCES UNLESS OTHERWISE SPECIFIED: $\pm 0,15$
- 3 FOR APPLICATION REQUIREMENTS SEE AMP SPEC. 114-19019
- 4 FOR PERFORMANCE REQUIREMENTS SEE AMP SPEC. 108-19064



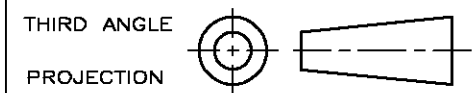
PRINTED CIRCUIT BOARD LAYOUT

VIEW SHOWN IS CIRCUIT (NONCOMPONENT) SIDE OF BOARD.
TOLERANCES UNLESS OTHERWISE SPECIFIED: $\pm 0,05$.
PRINTED CIRCUIT BOARD THICKNESS: 1,6 mm NOMINAL.

800 PCS ON A 60 CM DIA. REEL	6 POSITIONS/ 6 CONTACTS.	IN CONTACT AREA: 1,2µm MIN. SEL. GOLD OVER 1,2µm MIN. NICKEL	HOUSING: PBT,UL 94-HB COLOR: BLACK	216548-1
PACKAGING	REMARKS	FINISH	MATERIAL	PARTNUMBER
CUSTOMER DRAWING FOR REFERENCE ONLY WILL NOT BE UPDATED				
© COPYRIGHT 19 BY AMP HOLLAND B.V. ALL INTERNATIONAL RIGHTS RESERVED. AMP PRODUCTS MAY BE COVERED BY U.S. AND FOREIGN AND/OR PATENTS PENDING. THIS DRAWING IS UNPUBLISHED AND/OR PATENTS PENDING. RELEASED FOR PUBLICATION ,19				
J	SR10-0119-01	KV	KV	23 APR 01
H	EH00-1248-98	EvE	W.B.	12 AUG 96
G	EH00-0244-96	MVE	G.C.	15 FEB 96
F	EH00-0001-95	G.C.	CS	14 MAR 95
E	EH00-0042-94	JvL	CS	31 JAN 94
LTR.	REVISION RECORD	DR.	CHK.	DATE
DR.: J.v.LIEMPT	CHK.: C.STERKEN	APP.: L.v.SOEST	DWG.No.	REV.LTR.
DATE: 31 JAN 94	DATE: -	DATE: -	C-216548	J
4	3	2	1	A2

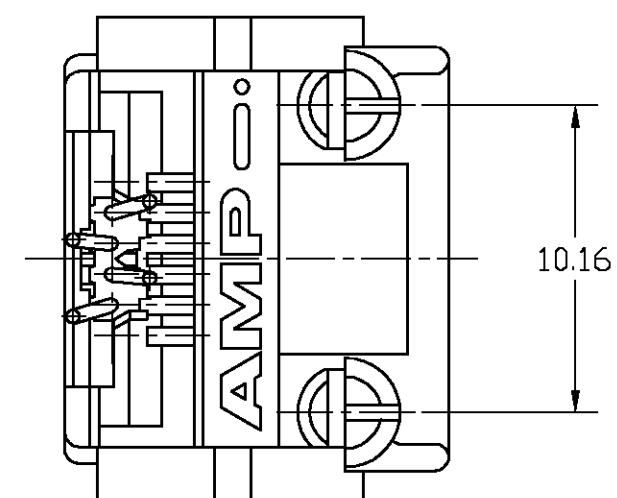
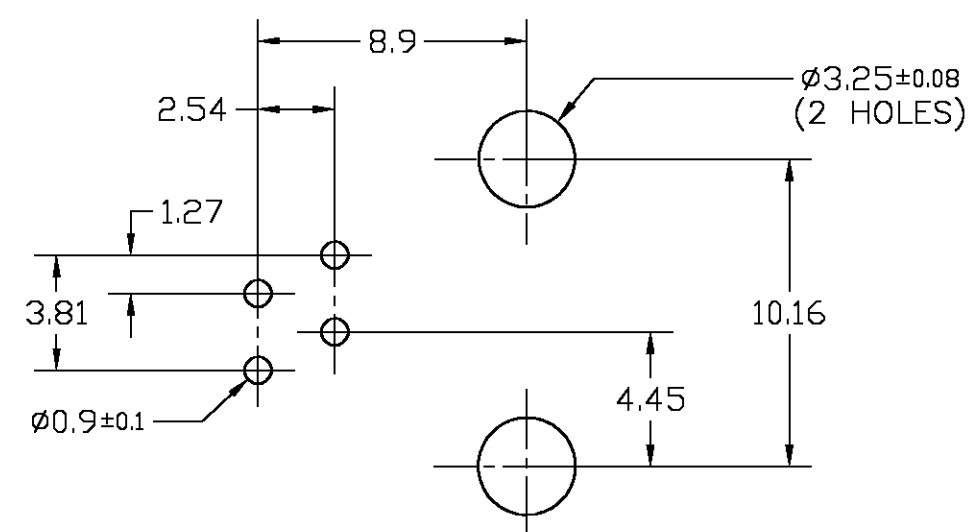
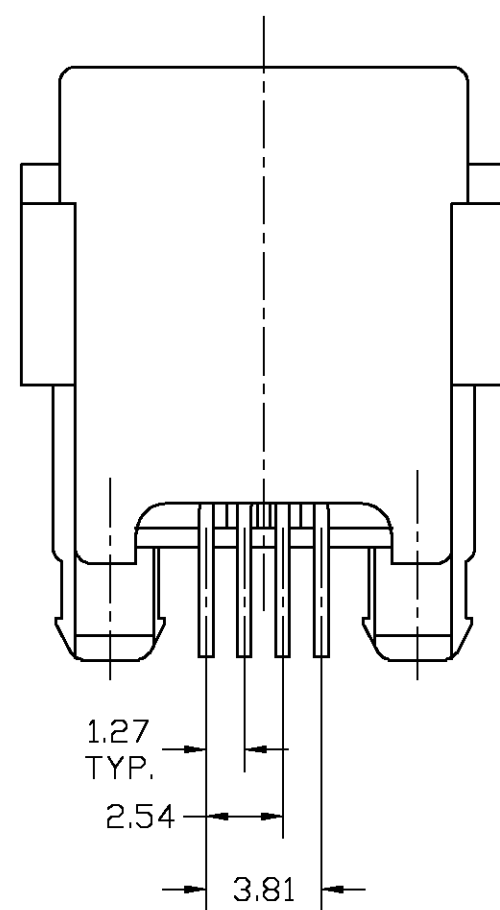
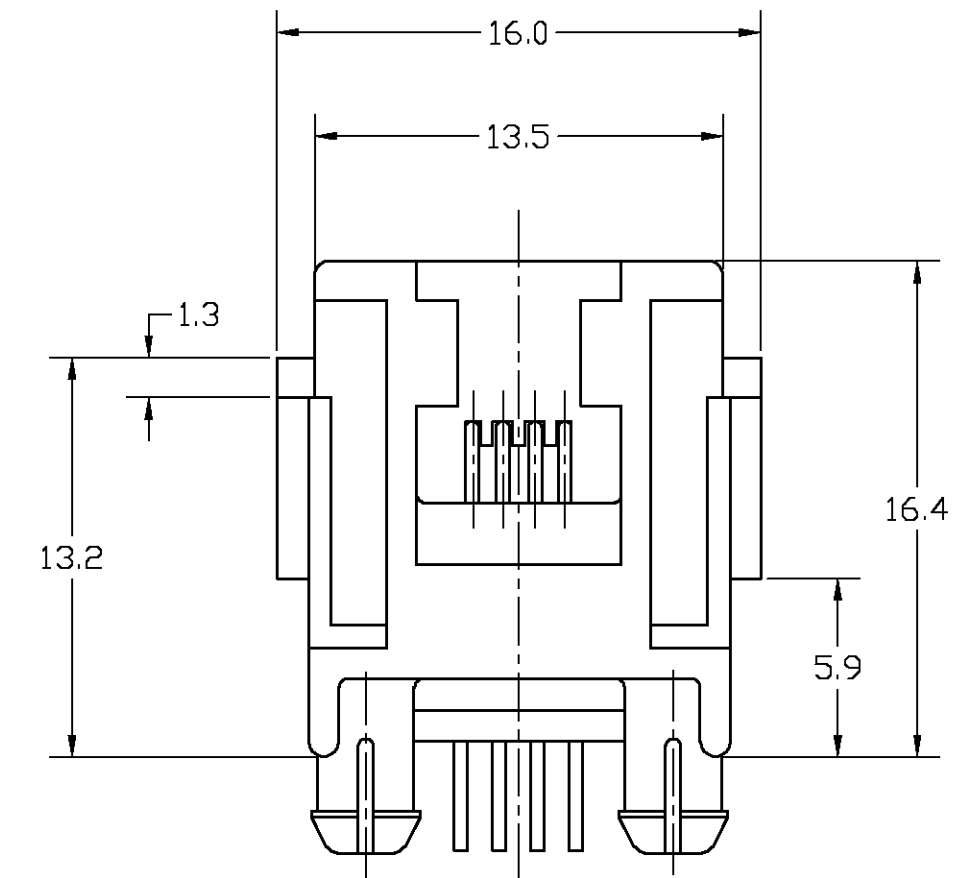
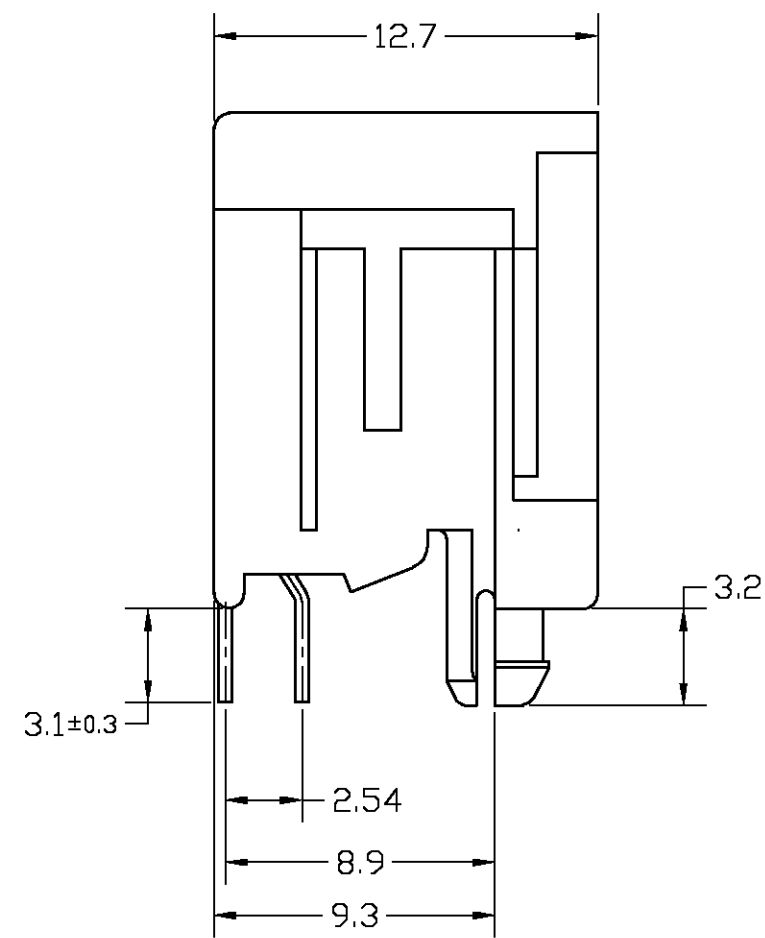
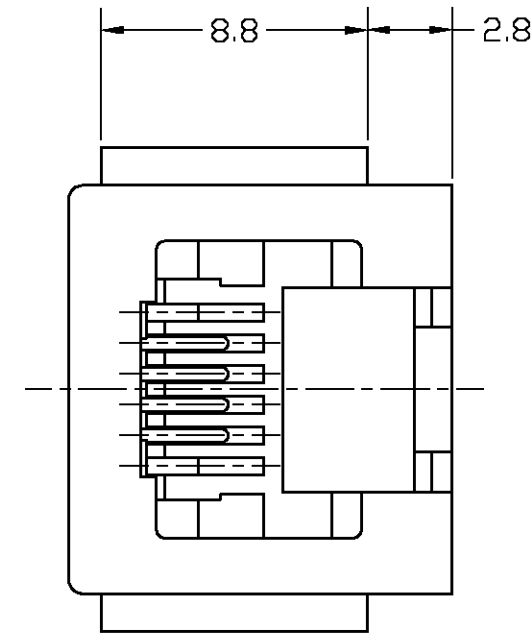
DO NOT SCALE
DIMENSIONS IN mm

METRIC



NOTES:

- 1 SEE SHEET 1 FOR 6 POS./6 CONTACTS
- 2 TOLERANCES UNLESS OTHERWISE SPECIFIED: $\pm 0,15$
- 3 FOR APPLICATION REQUIREMENTS SEE AMP SPEC. 114-19019
- 4 FOR PERFORMANCE REQUIREMENTS SEE AMP SPEC. 108-19064



PRINTED CIRCUIT BOARD LAYOUT

VIEW SHOWN IS CIRCUIT (NONCOMPONENT) SIDE OF BOARD.

TOLERANCES UNLESS OTHERWISE SPECIFIED: $\pm 0,05$.

PRINTED CIRCUIT BOARD THICKNESS: 1,6 mm NOMINAL.

800 PCS ON A 60 CM DIA. REEL	4 POSITIONS/ 6 CONTACTS.	IN CONTACT AREA: 1,2 μ m MIN. SEL. GOLD OVER 1,2 μ m MIN. NICKEL SOLDER TINES: 2,0 μ m MIN. TIN-LEAD OVER 1,2 μ m MIN. NICKEL	HOUSING: PBT,UL 94-HB COLOR: BLACK CONTACTS: PHOSPHOR BRONZE	216548-2	
PACKAGING	REMARKS	FINISH	MATERIAL	PARTNUMBER	
CUSTOMER DRAWING				FOR REFERENCE ONLY WILL NOT BE UPDATED	
© COPYRIGHT 19 BY AMP HOLLAND B.V. ALL INTERNATIONAL RIGHTS RESERVED. AMP PRODUCTS MAY BE COVERED BY U.S. AND FOREIGN AND/OR PATENTS PENDING. THIS DRAWING IS UNPUBLISHED RELEASED FOR PUBLICATION					
SEE SHEET 1			tyco Electronics	Tyco Electronics Corporation Oostkamp - BELGIUM	
			NAME	MODULAR JACK 6 POS. TOP ENTRY SMALL SIZE WITH PANEL STOPS FOR PRINTED CIRCUIT BOARD	
LTR.	REVISION RECORD	DR.	CHK.	DATE	
DR.: J.v.LIEMPT DATE: 31 JAN 94	CHK.: C.STERKEN DATE: -	APP.: L.v.SOEST DATE: -	DWG.No. C-216548	REV.LTR. J	SHEET 2 OF 2